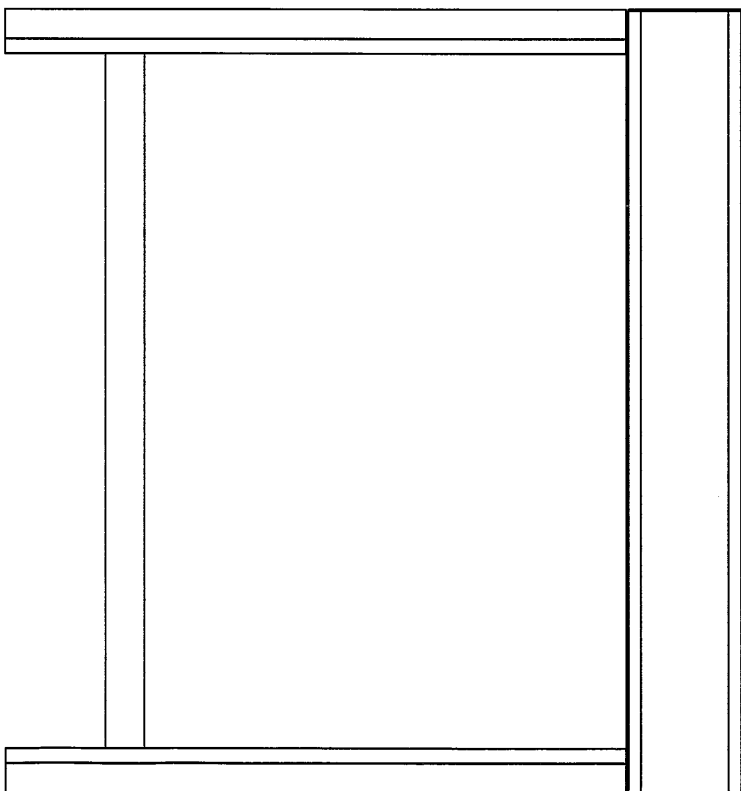
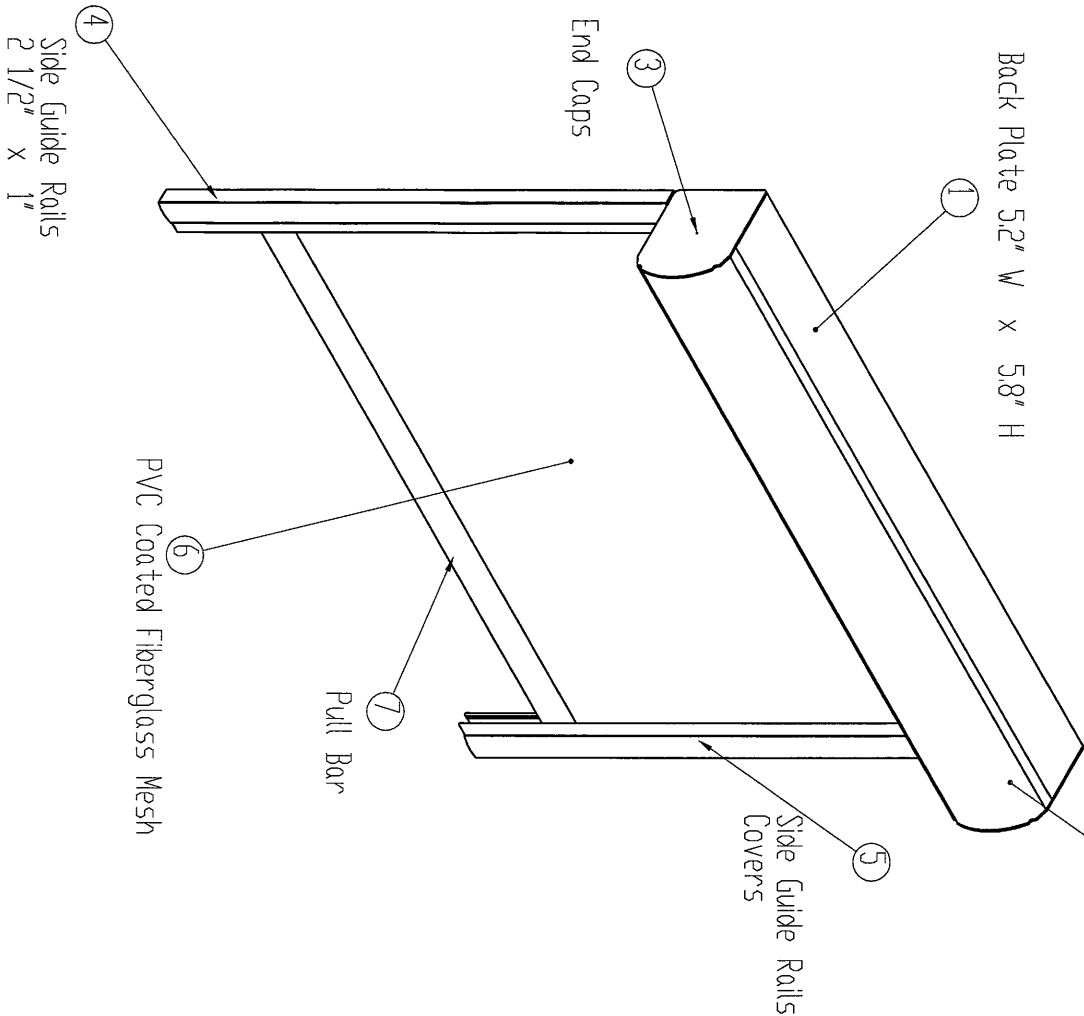


Front Cover Housing 5.4" W x 5.8" H



| REV | DATE | DESCRIPTION                                   | BY |
|-----|------|---|----|
| 0   | 0908 | ECLIPSE TECHNOLOGIES INC. ALL RIGHTS RESERVED |    |

**ECLIPSE TECHNOLOGIES, INC.**  
 CONFIDENTIAL AND PROPRIETARY

THIS DOCUMENT CONTAINS UNCLASSIFIED INFORMATION AND IS NOT TO BE RELEASED TO THE PUBLIC WITHOUT EXPRESS WRITTEN CONSENT OF ECLIPSE TECHNOLOGIES, INC. ANY UNAUTHORIZED DISCLOSURE OF THIS INFORMATION IS PROHIBITED. ALL RIGHTS ARE RESERVED.

DO NOT SCALE DRAWING  
 DIMENSIONS ARE IN MILLIMETERS  
 REMOVE ALL BURS AND SHARP EDGES  
 TOLERANCES UNLESS OTHERWISE NOTED

ONE DECIMAL 1  
 TWO DECIMAL 2  
 THREE DECIMAL 3  
 ANGULAR 4

| DRAWING TITLE             |             |              |                |
|---------------------------|-------------|--------------|----------------|
| Sala Design Specification |             |              |                |
| DRAWN BY                  | APPROVED BY | DATE         | DRAWING NUMBER |
| SS                        | SS          | 16 / 03 / 09 | ET-120         |
|                           |             |              | REVISION       |
|                           |             |              | A              |